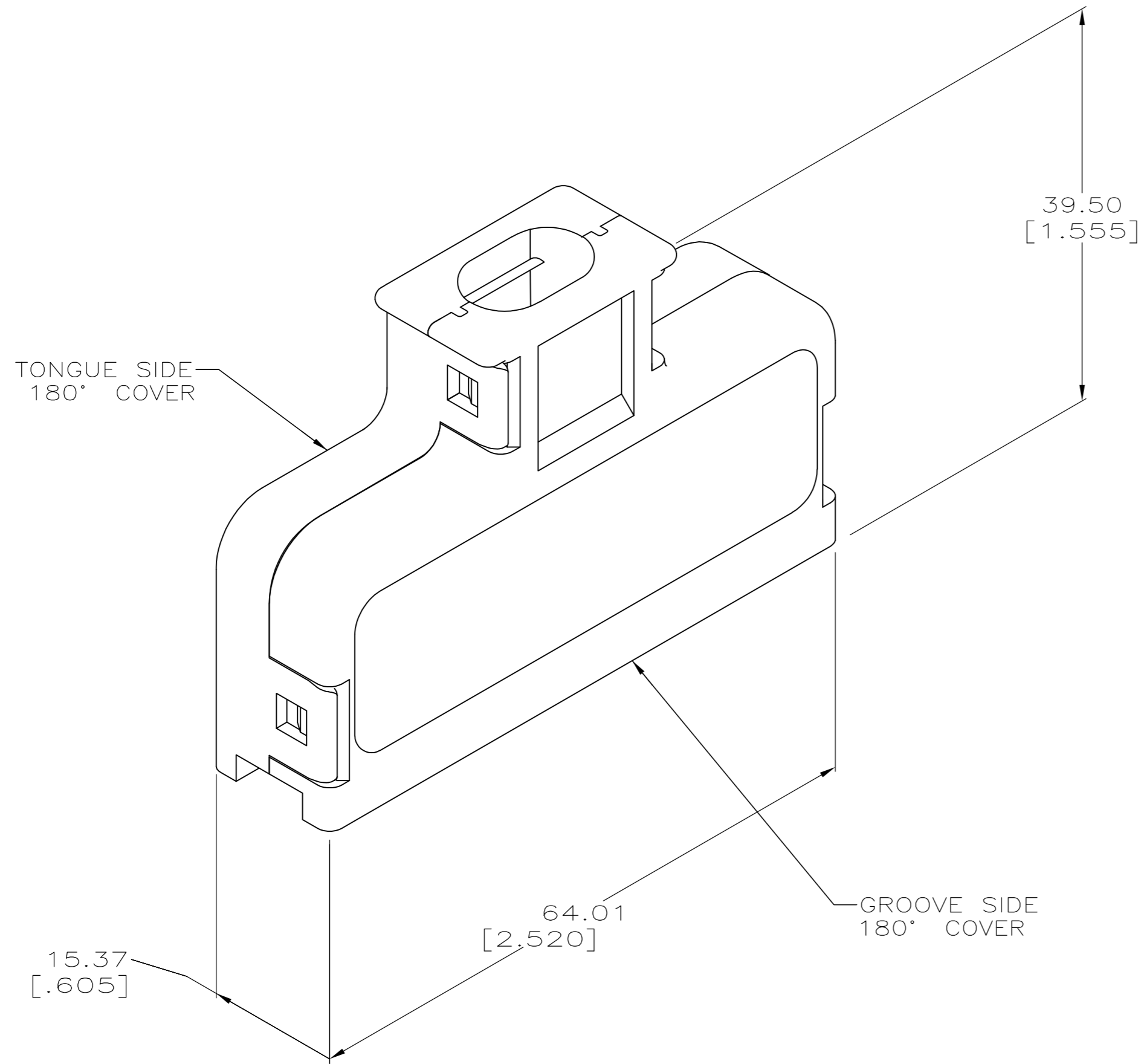


THIS DRAWING IS UNPUBLISHED. RELEASED FOR PUBLICATION
 © COPYRIGHT - By - ALL RIGHTS RESERVED.

| LOC | | DIST | | REVISIONS | | | | |
|-----|-----|-------------|--|---------------------------|---------|-----|------|--|
| P | LTR | DESCRIPTION | | | DATE | DWN | APVD | |
| AA | 20 | U2 | | REVISED PER ECO-12-019458 | 09APR13 | BM | PR | |

- 1. MATERIAL: POLYPHENYLENE OXIDE MOLDING COMPOUND. SEE TABLE FOR COLOR.
- 2. ALL DIMENSIONS SHOWN ARE MAXIMUM UNLESS OTHERWISE SPECIFIED.
- 3. 100 KITS BULK PACKAGED.



SUPERSEDED BY 4-552008-1

| 12.19-13.97 [.480-.550] | ALMOND | 4-552007-2 | 4-552006-2 | 4-552008-2 |
|-------------------------|--------|----------------------|----------------------|--------------|
| 12.19-13.97 [.480-.550] | BLACK | 4-552007-1 | 4-552006-1 | 4-552008-1 |
| 8.38-9.65 [.330-.380] | BLACK | 3-552007-1 | 3-552006-1 | 3-552008-1 |
| 9.65-10.92 [.380-.430] | BLACK | 2-552007-1 | 2-552006-1 | 2-552008-1 |
| 10.92-12.45 [.430-.490] | GRAY | 552007-4 | 552006-4 | 552008-4 |
| 10.92-12.45 [.430-.490] | BLACK | 552007-1 | 552006-1 | 552008-1 |
| CABLE RANGE DIAMETER | COLOR | GROOVE SIDE PART NO. | TONGUE SIDE PART NO. | KIT PART NO. |

| | | | | | | | | | | | | | | | | | | | | | | |
|--|--------|--------|---------|-----------|-------------|---------------|-------|---|---|-------|---|---|-------|---|---|-------|---|---|--------|---|---|------|
| THIS DRAWING IS A CONTROLLED DOCUMENT. | | DWN | 16APR97 | | | | | | | | | | | | | | | | | | | |
| DIMENSIONS: mm [INCHES] | | CHK | 21APR97 | | | | | | | | | | | | | | | | | | | |
| TOLERANCES UNLESS OTHERWISE SPECIFIED: | | APVD | 21APR97 | | | | | | | | | | | | | | | | | | | |
| <table border="1"> <tr><td>0 PLC</td><td>±</td><td>-</td></tr> <tr><td>1 PLC</td><td>±</td><td>-</td></tr> <tr><td>2 PLC</td><td>±</td><td>-</td></tr> <tr><td>3 PLC</td><td>±</td><td>-</td></tr> <tr><td>4 PLC</td><td>±</td><td>-</td></tr> <tr><td>ANGLES</td><td>±</td><td>-</td></tr> </table> | | 0 PLC | ± | | | - | 1 PLC | ± | - | 2 PLC | ± | - | 3 PLC | ± | - | 4 PLC | ± | - | ANGLES | ± | - | NAME |
| 0 PLC | ± | - | | | | | | | | | | | | | | | | | | | | |
| 1 PLC | ± | - | | | | | | | | | | | | | | | | | | | | |
| 2 PLC | ± | - | | | | | | | | | | | | | | | | | | | | |
| 3 PLC | ± | - | | | | | | | | | | | | | | | | | | | | |
| 4 PLC | ± | - | | | | | | | | | | | | | | | | | | | | |
| ANGLES | ± | - | | | | | | | | | | | | | | | | | | | | |
| MATERIAL | FINISH | WEIGHT | SCALE | CAGE CODE | DRAWING NO. | RESTRICTED TO | | | | | | | | | | | | | | | | |
| | | | 2:1 | A2 00779 | C=552008 | - | | | | | | | | | | | | | | | | |
| CUSTOMER DRAWING | | | SCALE | SHEET | REV | | | | | | | | | | | | | | | | | |
| | | | 2:1 | 1 of 1 | U2 | | | | | | | | | | | | | | | | | |

- 552008